

# 7-IN 5MP 40X IR PTZ AI NETWORK CAMERA

TB-IP40-A491VFPI

SECURING YOUR LIFE

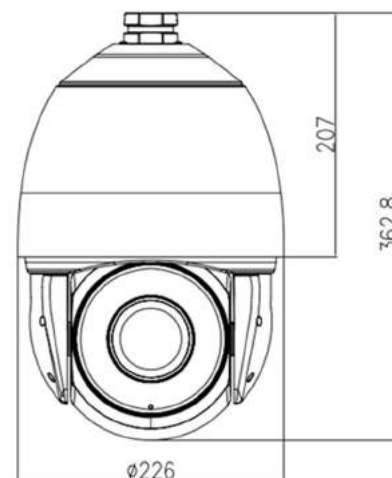
## Product Image Dimensions

- Dimensions:  $\Phi 226 \times 362.8$  mm ( $\Phi 8.9 \times 14.28$  inch)
- Weight: 5.2 kg (11.46 lb)
- Material: Front cover metal, back cover metal
- Accessory: Adapter and junction box (included)
- Operating Conditions:  $-45^{\circ}\text{C} \sim 70^{\circ}\text{C}$  ( $-49\text{ F} \sim 158\text{ F}$ ), Humidity 95% or less (non-condensing)



## Features

- 1/2.8" progressive scan CMOS
- 40x optical zoom, 16x digital zoom
- 5MP (2560x1920) @ 20fps
- Support face, human body, vehicle, license plate detection and capture
- Intelligent detection: intrusion, single line crossing, double line crossing, loitering, wrong way, people counting
- 3D DNR, WDR, ICR, IVS, Defog, Anti-shake
- Auto tracking
- Smart IR range up to 200 m
- IP67, IK10



## Accessories



Wall Bracket



Ceiling Bracket



Wall Bracket



TBVISION SECURITY

| Email : [sale@tbvision.net](mailto:sale@tbvision.net) | Website : [tbvision.net](http://tbvision.net) |

## Specifications

Camera	
Image Sensor	1/2.8" Progressive Scan CMOS
Electronic Shutter	Auto/Manual, 1/5 ~ 1/20,000s
Min. illumination	Color: 0.001 Lux @ (F1.6, AGC ON) B/W: 0 Lux @ (IR LED ON)
S/N Ratio	55 dB
Day/Night	Auto(ICR)/Day / Night/Timing
Wide Dynamic Range	WDR 140 dB
IR Range	Smart IR, Up to 200 m (656.2 ft)
IR On/Off Control	Auto/Manual
Lens	
Focal Length	4.60 ~ 180 mm
Max. Aperture	F1.2 ~ F3.5
Angle of View	H: 59.1°~1.8°, V: 38.4°~1.1°
Optical Zoom	40x
Digital Zoom	16x
Focus Control	Auto/Manual
PTZ	
Pan/Tilt Range	Pan: 0° ~ 360° endless, Tilt: -10° ~ +90° (auto flip)
Manual Control Speed	Pan: 0.1 /s ~ 240 /s; Preset speed: 300 /s, Tilt: 0.1 ~ 160 /s; Preset speed: 240 /s
Preset Speed	Pan: 180°/s, Tilt: 90°/s
Presets	400
PTZ Mode	6 Track, 12 Scan, 12 Tour (up to 32 presets per tour)
3D Positioning	Support
Power-Off Memory	Support
PTZ Status Display	Support
Idle Motion	Activate Preset/ Scan/ Tour/ Track if there is no command in the specified period
Video	
Max. Resolution	5MP (2560×1920)
Streaming Capability	3 Streams
Stream/Frame Rate	Stream1: 2560×1920/2048×1536/1280×960 @20fps Stream2: D1/VGA/640×360/CIF/QVGA @ 25/30fps Stream3: VGA/CIF/QVGA @ 25/30fps
Bit Rate Control	CBR/VBR
Bit Rate	Stream1: 200kbps~12Mbps Stream2: 10kbps~6Mbps Stream3: 10kbps~3Mbps
Image Enhancement	HLC/BLC/Anti-shake/Defog /WDR
Noise Reduction	2D/3D DNR
Region of Interest	Off/On (8 Zone, Rectangle)
Motion Detection	Support
Privacy Masking	Support



**TBVISION SECURITY**

| Email : [sale@tbvision.net](mailto:sale@tbvision.net) | Website : [tbvision.net](http://tbvision.net) |

<b>Intelligence</b>	
Smart Function	Support face, human, vehicle detection and capturing
IVS	Perimeter, Single virtual fence, Double virtual fences, Loiter, Converse, Illegal Parking (the six functions support the accurate detection of vehicle and human), People counting
Auto Tracking	Support
<b>Audio</b>	
Audio Compression	G.711, RAW_PCM
Bit Rate	8kbps(G.711), 16kps(RAW_PCM)
<b>Network</b>	
Protocols	IPv4/IPv6, 802.1x, HTTP, HTTPS, TCP/IP, UDP/IP, RTSP, DHCP, NTP, RTCP/RTP, PPPoE, SMTP, DNS, UPnP, FTP, ARP, SNMP, NFS, DDNS, Unicast, Multicast, SSL, P2P
Security	Password protection, complicated password, HTTPS encryption, 802.1X authentication (EAP-TLS, EAP-LEAP, EAP-MD5), watermark, IP address filter, basic and digest authentication for HTTP/HTTPS, RTP/RTSP over HTTPS, control timeout settings, security audit log, TLS 1.3, host authentication (MAC address), AES Video Encryption, User authentication (multiple privilege level), User Access Log
Interoperability	ONVIF, SDK, CGI
Streaming Method	Unicast
Max. User Access	10 Users
Web Viewer	<IE11, Chrome, Firefox, Microsoft Edge
Management Software	VIMS
Firmware update	Supports software installation on camera firmware
<b>Interface</b>	
Network Interface	1 × RJ-45, 10/100 Mbps self-adaptive Ethernet port
Audio Interface	1ch Input, 1ch Output
Alarm Interface	7ch Input, 2ch Output
RS485	Support
CVBS Output	Support
Built-in SD Card Slot	Yes (Built-in), up to 256GB
<b>Electrical</b>	
Power Supply	AC24V/Hi-POE (Adapter optional)
Power Consumption	Less than 40 W
Operating Temperature	-45°C~70°C(-49 F ~ 158 F)
Operating Humidity	Less than 90% RH
Ingress Protection	IP67,IK10, TVS4000V
Certifications	CE/FCC
Casing	Metal
Dimensions	Φ226 × 362.8 mm (Φ8.9 × 14.28 inch )
Net Weight	5.2 kg (11.46 lb)

Specifications subject to change without notice.



**TBVISION SECURITY**

| Email : [sale@tbvision.net](mailto:sale@tbvision.net) | Website : [tbvision.net](http://tbvision.net) |